

MORE POWER - LESS SPACE™



unigy I

12AVR75 12AVR100

- **Exclusive IPF™ technology optimizes power capacity, cell consistency, and long-term reliability**
- Space saving Absorbed Glass Mat (AGM) construction (48 volt system fits in 23" racks)
- Reinforced case resists bulging and meets safety requirements (UL94 V-0)
- Computer-aided design and manufacturing control processes and standards to ensure quality products
- All batteries meet or exceed IEEE 485 and Telcordia capacity requirements
- Battery design and construction meet UL recognition requirements
- I.C.A.O., I.M.D.G., I.A.T.A., and D.O.T. air transport approved



QUALITY SYSTEM
CERTIFIED
ISO 9001
ISO/TS 16949
ENVIRONMENTAL
SYSTEM CERTIFIED
ISO 14001

SPECIFICATIONS

Nominal Voltage: 12-Volt/70.6 & 94.1 ampere-hours @ 8 hr. rate to 1.75 final volts/cell

Positive Plate: Pure lead, low-calcium, high-tin alloy

Negative Plate: Lead Calcium Alloy

Post Seal: Epoxy-sealed

Terminal: Inserted post, 1/4" x 20 brass insert

Container/Cover: Flame-retardant, polypropylene - UL 94 V-0/>28% L.O.I.

Safety Vent: Low positive pressure, self-sealing w/ flame arrestor

Float Voltage: 2.25 volts per cell ± 0.01 vpc (Range: 13.44 to 13.56 volts per 6-cell unit)

Battery Life: 5 years in float applications at 77°F/25°C

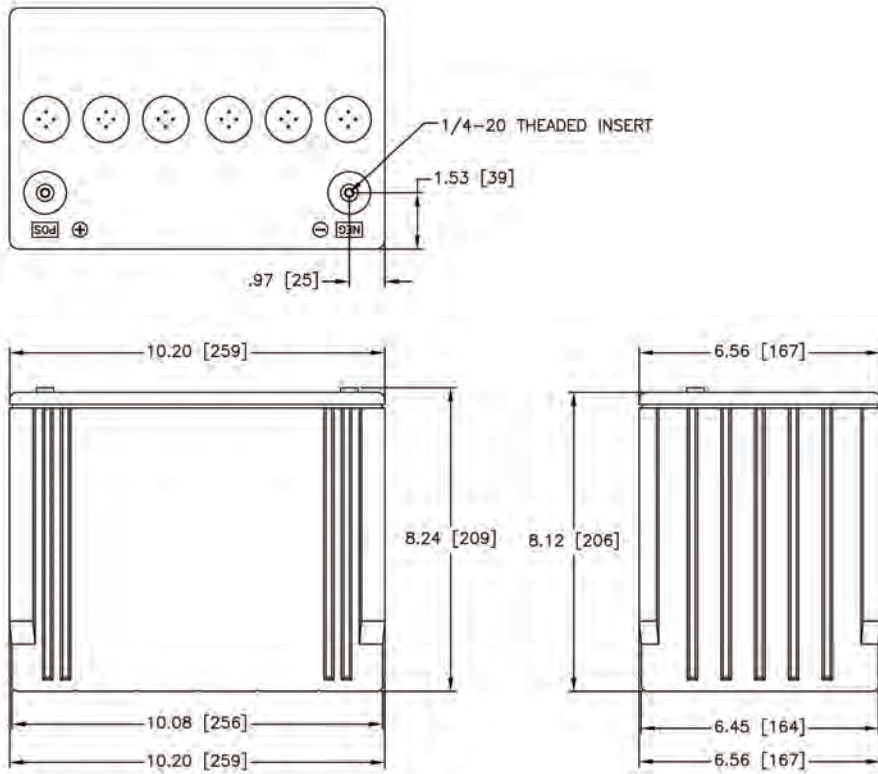
Dimensions & Weight: Noted on back

12AVR75 RATINGS IN AMPS @ 77°F

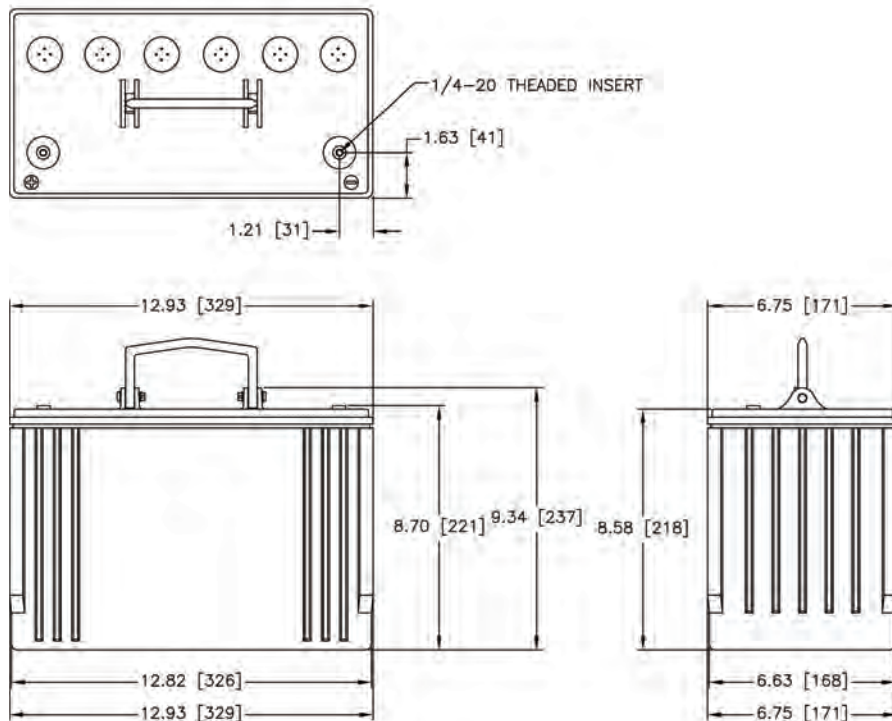
| Volts Per Cell (V.P.C.) | 1 HR. | 3 HR. | 5 HR. | 8 HR. | 10 HR. | 12 HR. | 20 HR. | 24 HR. |
|-------------------------|-------|-------|-------|-------|--------|--------|--------|--------|
| 1.75 | 51.4 | 20.8 | 13.4 | 8.8 | 7.2 | 6.1 | 3.8 | 3.2 |
| 1.80 | 50.8 | 20.6 | 13.3 | 8.8 | 7.2 | 6.1 | 3.8 | 3.2 |
| 1.85 | 49.6 | 20.3 | 13.1 | 8.6 | 7.1 | 6.0 | 3.7 | 3.2 |
| 1.88 | 46.6 | 19.2 | 12.4 | 8.3 | 6.8 | 5.8 | 3.6 | 3.1 |
| 1.90 | 45.2 | 18.4 | 11.9 | 7.9 | 6.5 | 5.5 | 3.4 | 2.9 |

12AVR100 RATINGS IN AMPS @ 77°F

| Volts Per Cell (V.P.C.) | 1 HR. | 3 HR. | 5 HR. | 8 HR. | 10 HR. | 12 HR. | 20 HR. | 24 HR. |
|-------------------------|-------|-------|-------|-------|--------|--------|--------|--------|
| 1.75 | 68.5 | 27.8 | 17.9 | 11.8 | 9.6 | 8.2 | 5.1 | 4.3 |
| 1.80 | 67.8 | 27.5 | 17.7 | 11.7 | 9.6 | 8.1 | 5.1 | 4.3 |
| 1.85 | 66.2 | 27.0 | 17.4 | 11.5 | 9.4 | 8.0 | 5.0 | 4.2 |
| 1.88 | 62.2 | 25.6 | 16.6 | 11.0 | 9.0 | 7.7 | 4.8 | 4.1 |
| 1.90 | 60.3 | 24.6 | 15.9 | 10.5 | 8.6 | 7.3 | 4.6 | 3.9 |



12AVR75



12AVR100



"POWERED FOR PERFORMANCE"®
EAST PENN manufacturing co., inc.

Lyon Station, PA 19536-0147 • Phone: 610-682-6361 • Fax: 610-682-4781
Order Department Hotline: 610-682-3263
 www.eastpennunigy.com • e-mail: sales@eastpennunigy.com